



Count on it.

Parts Catalog

220 and 220G Series Valves

Model No. 220 and 220G Series



Ordering Replacement Parts

To order replacement parts, please supply the part number, the quantity, and the description of each part desired.

Understanding Reference Numbers

Each identified part in an illustration has a reference number. The reference number for a part also appears in the parts list, along with other information about the part.

This catalog uses two special reference number formats, one to indicate parts in a service assembly and another to indicate the quantity of a given part in an illustration.

Service Assembly Reference Numbers

Parts in service assemblies have reference numbers in the form a:b. The a represents the reference number of the entire service assembly and the b represents a sequential number unique to each part within the service assembly.

For example, a wheel assembly might be identified by reference number 6, the tire by 6:1, the valve by 6:2, and the wheel by 6:3. When you order the assembly identified by reference number 6, you receive all parts identified by reference numbers 6:1, 6:2, and 6:3. However, you may also order any part individually. Reference numbers of this type appear in illustration and in parts lists.

Reference Numbers Indicating Quantity

In an illustration, if a reference number indicates more than one part, the reference number has the form nX y. The n represents the quantity of the part, the X is the multiplication symbol, and the y represents the reference number.

For example, in an illustration, the reference number 2X 37 means that two of the parts identified by reference number 37 are indicated.

List of Abbreviations

AR: as required

ASM: assembly

BBC: blade brake control

BHTF: button head thread forming

CARR: carriage

CCW: counter clockwise

CW: clockwise

DEG: degrees

DPA: Dual Point Adjustment

ECM: electronic control module

EXT: external

FH: flat head

GA: gauge

HD: heavy-duty

HF: hex flange

HH: hex head

HHF: hex head flange

HHFTF: hex head flange thread forming

HJ: hex jam

HLH: hex lag head

HOC: height-of-cut

HSBH: hex socket button head

HSFH: hex socket flat head

HSH: hex socket head

HWH: hex washer head

HWHTF: hex washer head thread forming

HYD: hydraulic

LH: left hand

LP: Liquefied Petroleum Gas

LPG: Liquefied Petroleum Gas

NI: nylon insert

NPTF: national pipe thread fine

PFH: phillips flat head

PPH: phillips pan head

PPHTF: phillips pan head thread forming

PRH: phillips round head

PTH: phillips truss head

PTO: power-take-off

RH: right hand

ROPS: roll-over protection system

RRB: rear roller brush

SFH: slotted fillister head

SHH: slotted hex head

SHWH: slotted hex washer head

SPH: slotted pan head

SQH: square head

SRH: slotted round head

STD: standard

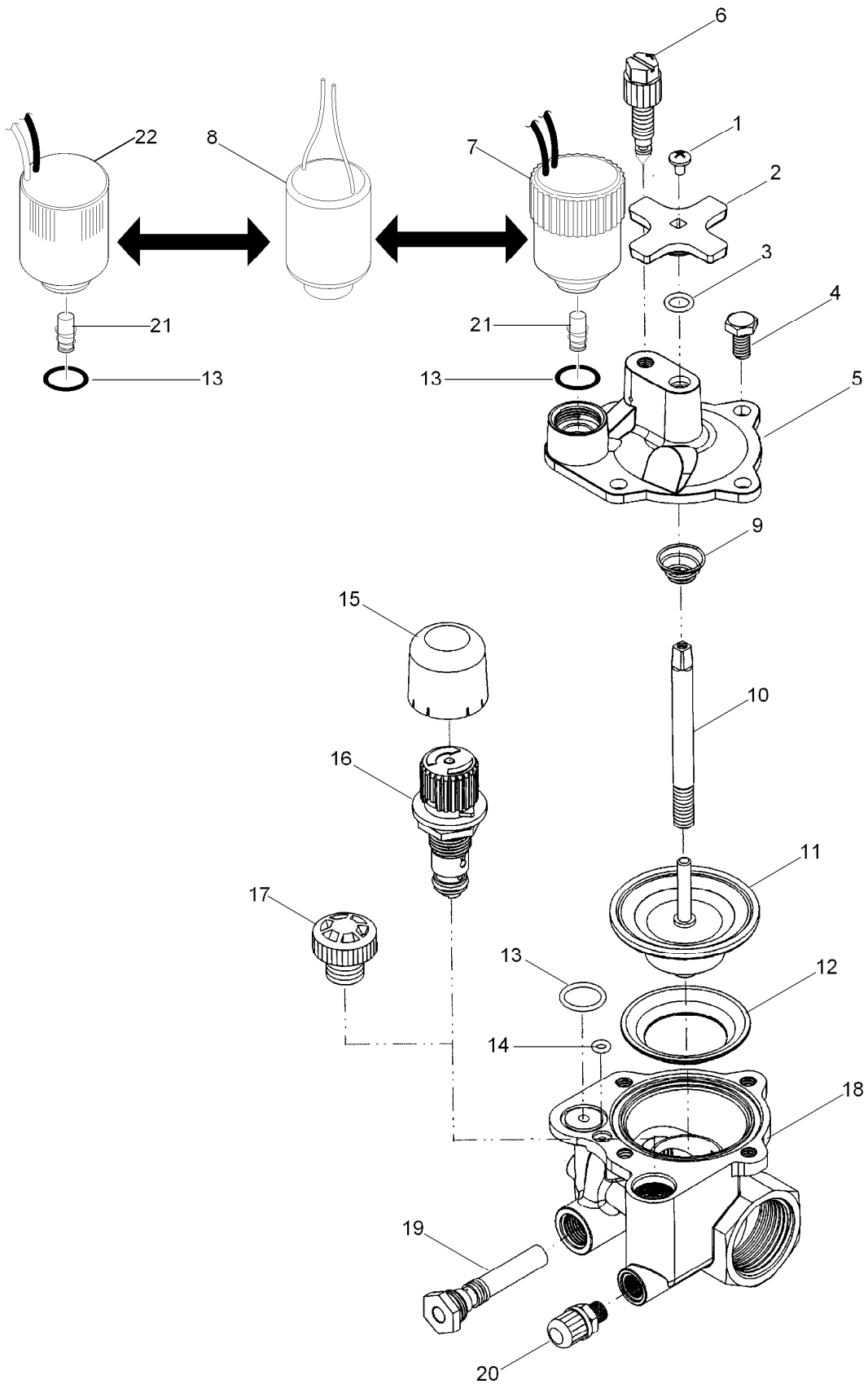
TAP: self tapping

TTH: torx truss head

Contents

220, 220G Series, 1 In Valves, Pressure Reg..... 4
220, 220G Series, 1.25 and 1.5 In, Pressure Reg. 6
220, 220G Series, 2 Inch, Pressure Reg. 8
220 Series, 2.5 and 3 Inch 10

220, 220G Series, 1 In Valves, Pressure Reg.



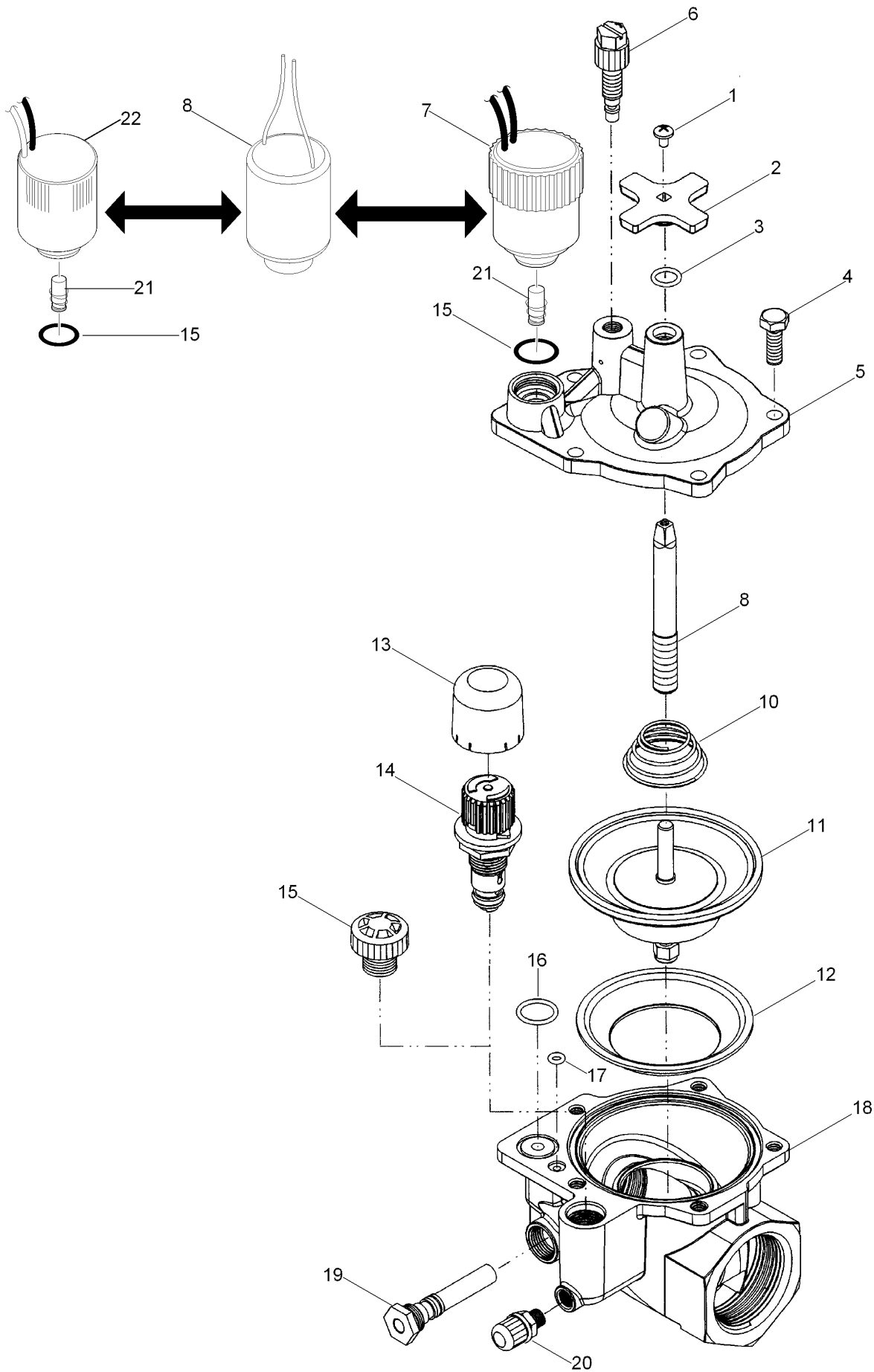
220, 220G Series, 1 In Valves, Pressure Reg. (continued)

<i>Ref.</i>	<i>Part Number</i>	<i>Qty.</i>	<i>Description</i>	<i>Ref.</i>	<i>Part Number</i>	<i>Qty.</i>	<i>Description</i>
1	360-0498	1	Screw, Machine, 8-32 X 1/4"	14	360-0530	1	O-Ring, El And Pr (0.070 X 0.145 X 0.285)
2	9-4527	1	Handle, Cross	15	835203	1	Cap, Vandal Resistant (Pressure Regulating Models Only)
3	360-0107	1	O-Ring (0.070 X 0.301 X 0.441)	16	EZR-30	1	Regulator Module, 30 Psi (Includes Item 15) ■
4	363-8634	4	Screw, Machine, 1/4-20 X 1/2"	16	EZR-100	1	Regulator Module, 100 Psi (Includes Item 15) ■
5	89-9538	1	Cap, Valve	17	89-9521	1	Blanking Plug Assy. (Non-Pressure Regulating Models Only)
6	102-0208	1	Bleed Screw Assy.	18		1	Body, Brass (Pressure Regulated) ●
7	102-3443	1	Solenoid-Low Wattage, W/Surge Protection (Black Wires)	19	102-0690	1	Filter Assy., Metering, 1" & 1.5"
8	118-5982	1	Solenoid Assy. With Plunger, 24 Vac, 60 Hz	20	834101	1	Valve Assy., Schrader
8	102-7054	1	Solenoid Assy. With Plunger, 24 Vac, 50 Hz	21	89-9562	1	Plunger Assy. (Used With Item 7)
9	9-5146	1	Spring, Diaphragm	22	102-2709	1	Solenoid Assy., 24Vdc, Latching
10	89-6507	1	Stem Assy., Flow Control, El And Pr (Includes Items 1 And 2)				
11	9-5359	1	Diaphragm Assy., 1" Brass				
12	35-2639	1	Support, Diaphragm				
13	360-0220	2	O-Ring (0.070 X 0.551 X 0.691) (As568-015) (Used With Item 7)				

● Not serviced separately

■ Order Through Finished Goods Distribution System - Minneapolis

220, 220G Series, 1.25 and 1.5 In, Pressure Reg.



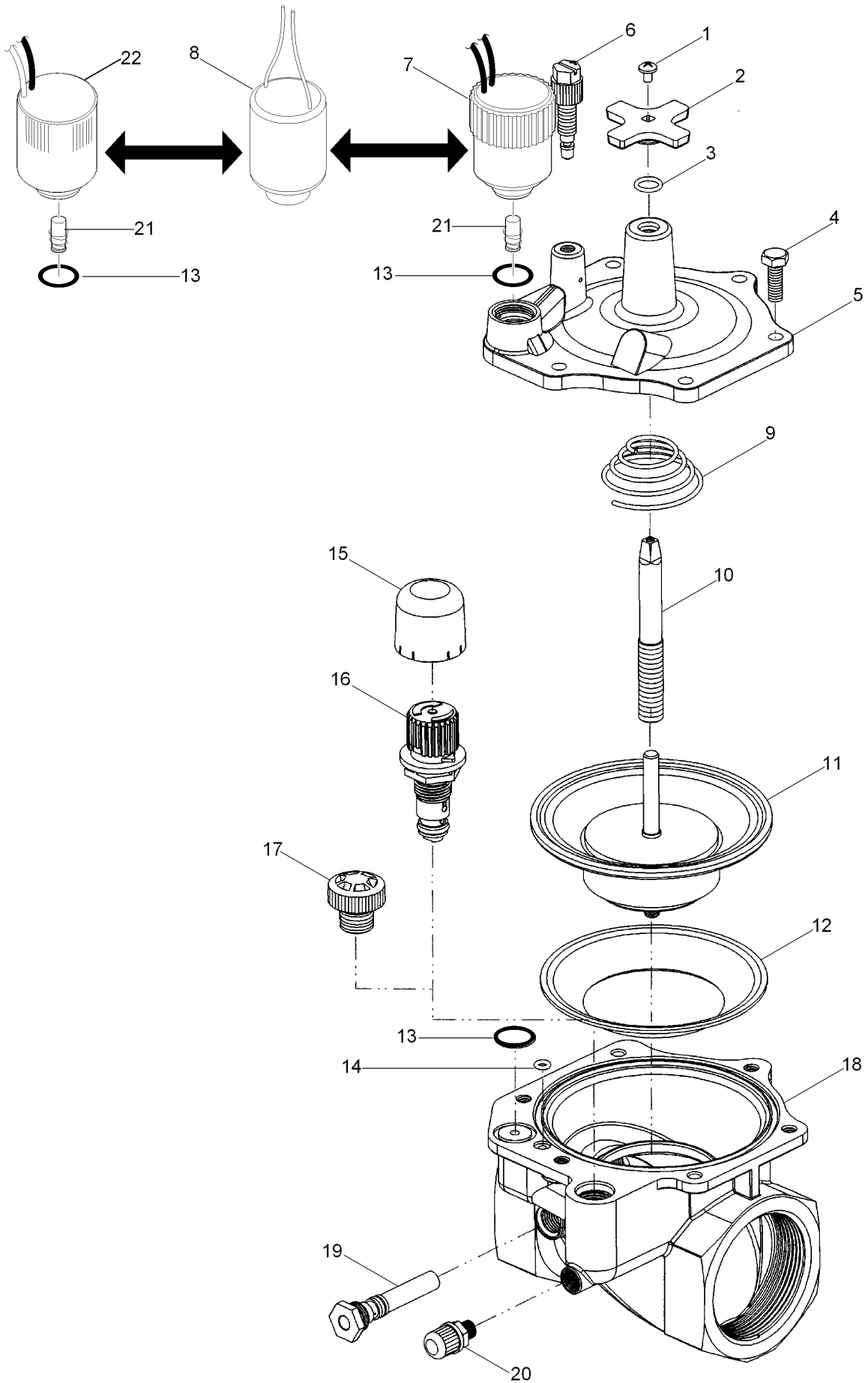
220, 220G Series, 1.25 and 1.5 In, Pressure Reg. (continued)

<i>Ref.</i>	<i>Part Number</i>	<i>Qty.</i>	<i>Description</i>	<i>Ref.</i>	<i>Part Number</i>	<i>Qty.</i>	<i>Description</i>
1	360-0498	1	Screw, Machine, 8-32 X 1/4"	14	EZR-100	1	Regulator Module, 100 Psi (Used With Item 13) (Pressure Regulating Models Only) ■
2	9-4527	1	Handle, Cross				
3	360-0493	1	O-Ring, 0.070 X 0.364 X 0.504	15	89-9521	1	Blanking Plug Assy. (Non-Pressure Regulating Models Only)
4	360-0499	5	Screw, Machine, 1/4-20 X 3/4"	16	360-0220	2	O-Ring (0.070 X 0.551 X 0.691) (As568-015) (Used With Item 7)
5	89-9539	1	Cap, Valve	17	360-0530	1	O-Ring, El And Pr (0.070 X 0.145 X 0.285)
6	102-0208	1	Bleed Screw Assy.	18		1	Body, Brass (Pressure Regulated) ●
7	102-3443	1	Solenoid-Low Wattage, W/Surge Protection (Black Wires)	19	102-0690	1	Filter Assy., Metering, 1" & 1.5"
8	118-5982	1	Solenoid Assy. With Plunger, 24 Vac, 60 Hz	20	834101	1	Valve Assy., Schrader
8	102-7054	1	Solenoid Assy. With Plunger, 24 Vac, 50 Hz	21	89-9562	1	Plunger Assy. (Used With Item 7)
8	9-4424	1	Stem, Flow Control	22	102-2709	1	Solenoid Assy., 24Vdc, Latching
10	102-0637	1	Spring, Diaphragm				
11	9-5361	1	Diaphragm Assy., 1.5" And 1.25"				
12	35-2452	1	Support, Diaphragm				
13	835203	1	Cap, Vandal Resistant (Pressure Regulating Models Only)				
14	EZR-30	1	Regulator Module, 30 Psi (Used With Item 13) (Pressure Regulating Models Only) ■				

● Not serviced separately

■ Order Through Finished Goods Distribution System - Minneapolis

220, 220G Series, 2 Inch, Pressure Reg.



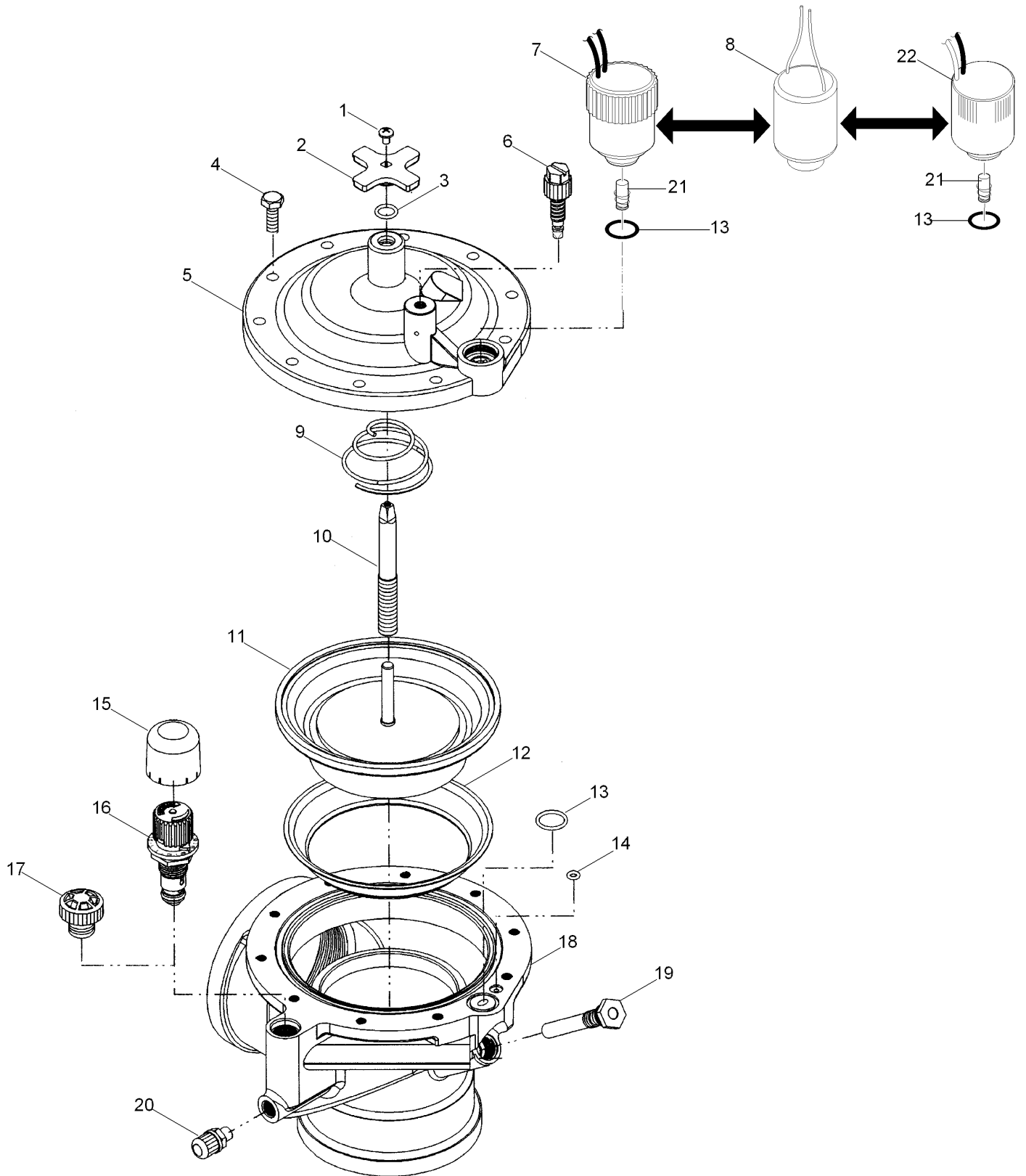
220, 220G Series, 2 Inch, Pressure Reg. (continued)

<i>Ref.</i>	<i>Part Number</i>	<i>Qty.</i>	<i>Description</i>	<i>Ref.</i>	<i>Part Number</i>	<i>Qty.</i>	<i>Description</i>
1	360-0498	1	Screw, Machine, 8-32 X 1/4"	15	835203	1	Cap, Vandal Resistant (Pressure Regulating Models Only)
2	9-4527	1	Handle, Cross	16	EZR-30	1	Regulator Module, 30 Psi (Includes Item 16) (Pressure Regulating Models Only) ■
3	360-0493	1	O-Ring, 0.070 X 0.364 X 0.504	16	EZR-100	1	Regulator Module, 100 Psi (Includes Item 16) (Pressure Regulating Models Only) ■
4	360-0499	6	Screw, Machine, 1/4-20 X 3/4"	17	89-9521	1	Blanking Plug Assy. (Non-Pressure Regulating Models Only)
5	89-9540	1	Cap, Valve	18		1	Body, Brass ●
6	102-0208	1	Bleed Screw Assy.	19	102-0691	1	Filter Assy., Metering, 2"
7	102-3443	1	Solenoid-Low Wattage, W/Surge Protection (Black Wires)	20	834101	1	Valve Assy., Schrader (Pressure Regulating Models Only)
8	118-5982	1	Solenoid Assy. With Plunger, 24 Vac, 60 Hz	21	89-9562	1	Plunger Assy. (Used With Item 7)
8	102-7054	1	Solenoid Assy. With Plunger, 24 Vac, 50 Hz	22	102-2709	1	Solenoid Assy., 24Vdc, Latching
9	89-1652	1	Spring, Diaphragm				
10	9-4543	1	Stem, Flow Control				
11	9-5363	1	Diaphragm, Assy., 2"				
12	9-4541	1	Support, Diaphragm				
13	360-0220	2	O-Ring (0.070 X 0.551 X 0.691) (As568-015) (Used With Item 7)				
14	360-0530	1	O-Ring, El And Pr (0.070 X 0.145 X 0.285)				

● Not serviced separately

■ Order Through Finished Goods Distribution System - Minneapolis

220 Series, 2.5 and 3 Inch



220 Series, 2.5 and 3 Inch (continued)

<i>Ref.</i>	<i>Part Number</i>	<i>Qty.</i>	<i>Description</i>	<i>Ref.</i>	<i>Part Number</i>	<i>Qty.</i>	<i>Description</i>
1	360-0498	1	Screw, Machine, 8-32 X 1/4"	14	360-0530	1	O-Ring, El And Pr (0.070 X 0.145 X 0.285)
2	9-4527	1	Handle, Cross	15	835203	1	Cap, Vandal Resistant (Pressure Regulating Models Only)
3	360-0493	1	O-Ring, 0.070 X 0.364 X 0.504	16	EZR-30	1	Regulator Module, 30 Psi (Includes Item 15) (Pressure Regulating Models Only) ■
4	360-0499	10	Screw, Machine, 1/4-20 X 3/4"	16	EZR-100	1	Regulator Module, 100 Psi (Includes Item 15) (Pressure Regulating Models Only) ■
5	89-9541	1	Cap, Valve	17	89-9521	1	Blanking Plug Assy. (Non-Pressure Regulating Models Only)
6	102-0208	1	Bleed Screw Assy.	18		1	Body, Brass ●
7	102-3443	1	Solenoid-Low Wattage, W/Surge Protection (Black Wires)	19	102-0692	1	Filter Assy., Metering
8	118-5982	1	Solenoid Assy. With Plunger, 24 Vac, 60 Hz	20	834101	1	Valve Assy., Schrader
8	102-7054	1	Solenoid Assy. With Plunger, 24 Vac, 50 Hz	21	89-9562	1	Plunger Assy. (Used With Item 7)
9	89-1744	1	Spring, Diaphragm	22	102-2709	1	Solenoid Assy., 24Vdc, Latching
10	9-4543	1	Stem, Flow Control				
11	89-6421	1	Diaphragm Assy.				
12	89-8126	1	Support, Diaphragm				
13	360-0220	2	O-Ring (0.070 X 0.551 X 0.691) (As568-015) (Used With Item 7)				

● Not serviced separately

■ Order Through Finished Goods Distribution System - Minneapolis



Count on it.