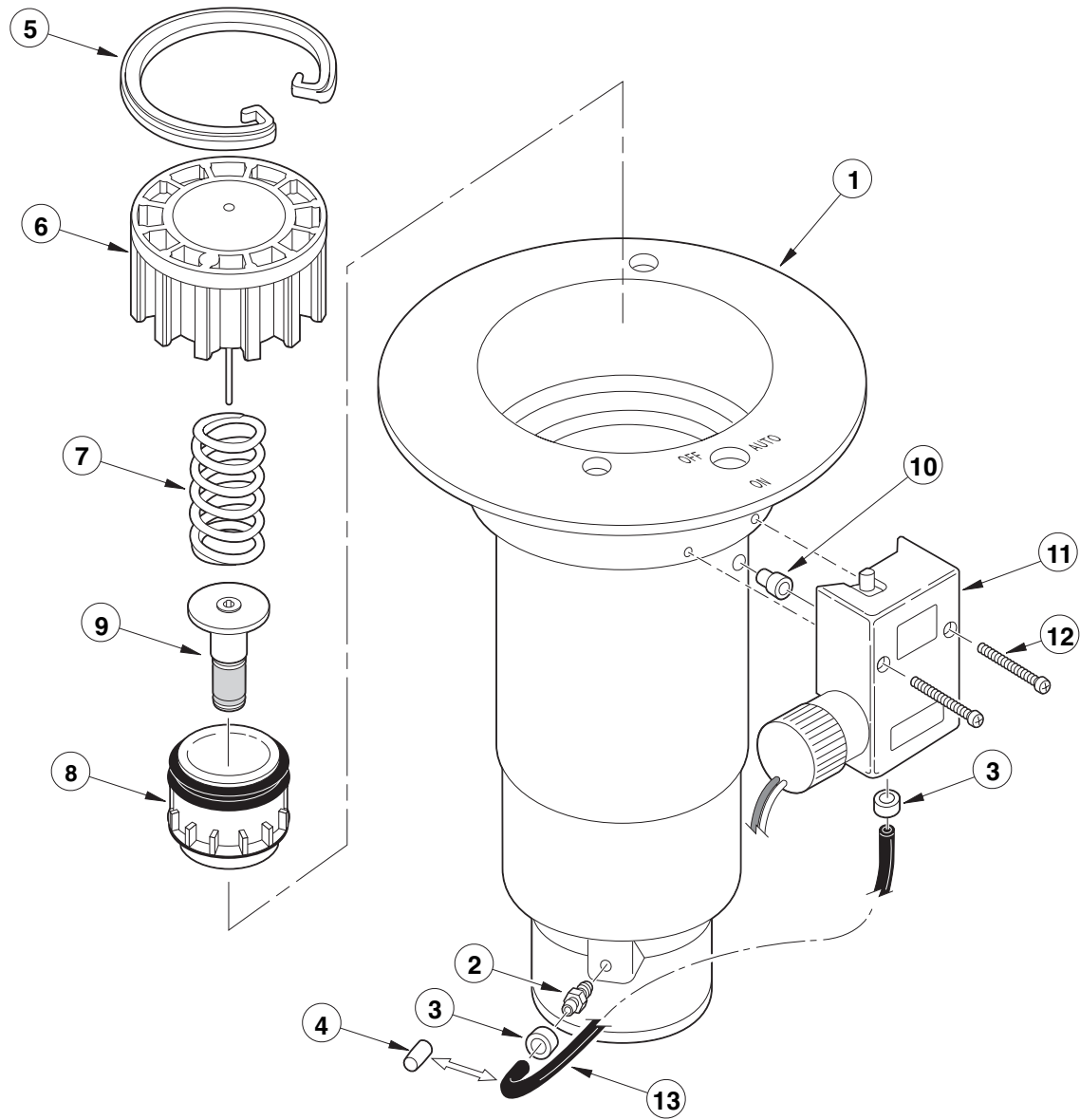


Golf Sprinkler Body – 1.5 Inch



Item No.	Part No.	Description	Quantity Per Assy.
		1.5 INCH NPT BODY STYLE	
1	3-3389	Electric w/o VIH (Includes Items 1–4)	1
1	3-3343	Hydraulic NO w/o VIH (Includes Items 1–4)	1
1	9-1257	COM w/o VIH (Includes Items 1–3 & 13)	1
		1.5 INCH BSP BODY STYLE	
1	35-5362	Electric w/o VIH (Includes Items 1–4)	1
1	35-5322	COM w/o VIH (Includes Items 1–3 & 13)	1
1	35-5245	Hydraulic NO w/o VIH (Includes Items 1–4)	1
		1.5 INCH ACME BODY STYLE	
1	89-8646	Electric w/o VIH (Includes Items 1–4)	1
1	89-8652	COM w/o VIH (Includes Items 1–3 & 13)	1
1	89-8654	Hydraulic NO w/o VIH (Includes Items 1–4)	1

Item No.	Part No.	Description	Quantity Per Assy.
2	9-6002	Adapter, Tubing, Threaded, 1/4"	1
3	*900-40	Retainer, Tube	1 or 2
4	89-8157	Cap, Poly	1
5	3-3304	Snap Ring, Valve	1
6	9-1479	Cylinder Assy., COM & NO	1
6	102-0626	Cylinder Assy., EL & NC	1
7	3-3323	Spring, Valve, EL, NO, & NC, Silver	1
7	3-3311	Spring, Valve, COM, Black	1
8	89-1201	Piston Assy., COM & NO	1
8	102-5101	Piston Assy., EL & NC (Includes Item 9)	1
9	35-9645	Filter Assy., Metering, EL & NC	1
10	35-7663	Adapter, Pilot Valve to Body	1
11	-----	Pilot Valve Assy. (See p. 108)	1
12	3-2696	Screw, Tap #8	2
13	9-2623	Tubing, Poly, 1/4" x 8", EL & NC	1
13	9-1876	Tubing, Poly, 1/4" x 11.5", COM	1
		SERVICE ITEMS	
	89-1036	Valve Assy., NO (Includes Items 6–8)	
	89-1037	Valve Assy., COM (Includes Items 6–8)	
	102-4003	Valve Assy., EL and NC (Includes Items 6–9)	
	9-7271	Adapter, 1/4" Poly (Oversize Thread)	
		* Order Through Finished Goods Distribution System–Minneapolis	